

HUMMA

UV35-25

35t Pick & Carry



A construction site at dusk. In the background, a crane is positioned on a concrete structure under construction. The crane's boom is extended upwards. In the foreground, a teal METCO crane service truck is parked on a gravel surface. The truck has a logo on its side and text that reads "METCO Crane Service Phone: (03)". A red and white traffic cone is visible in the lower left foreground, and a red plastic safety barrier is in the lower right foreground. The sky is dark, and the overall scene is dimly lit.

YOU CAN EXPECT

Focused on Quality.

Our focus is on quality and getting the job done right the first time. Cutting corners can lead to budget blowout by failing to plan adequately, running overtime, or worse yet; accidents and safety hazards.

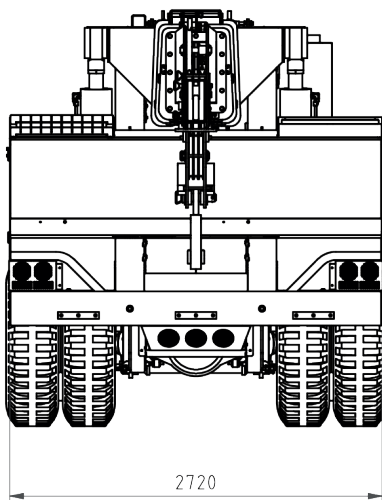
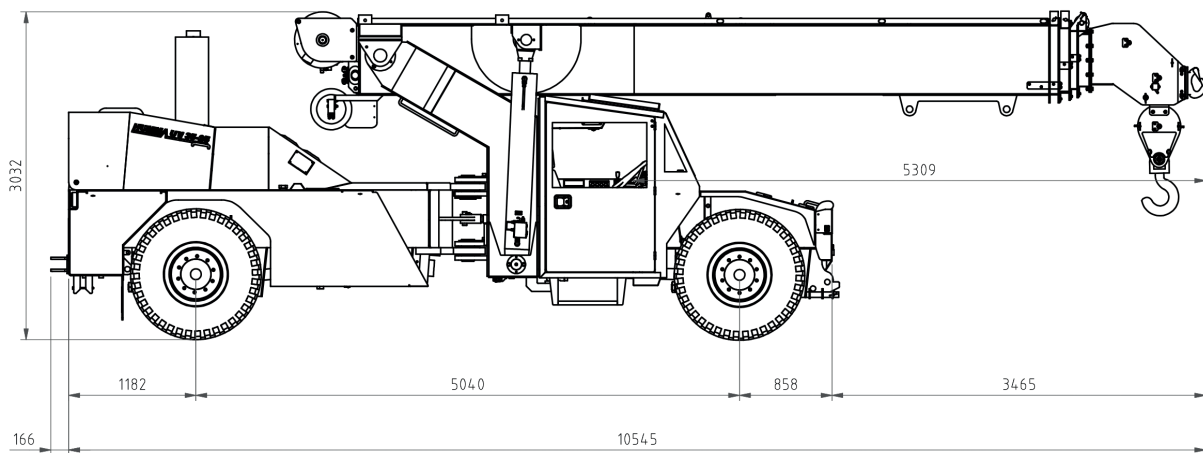
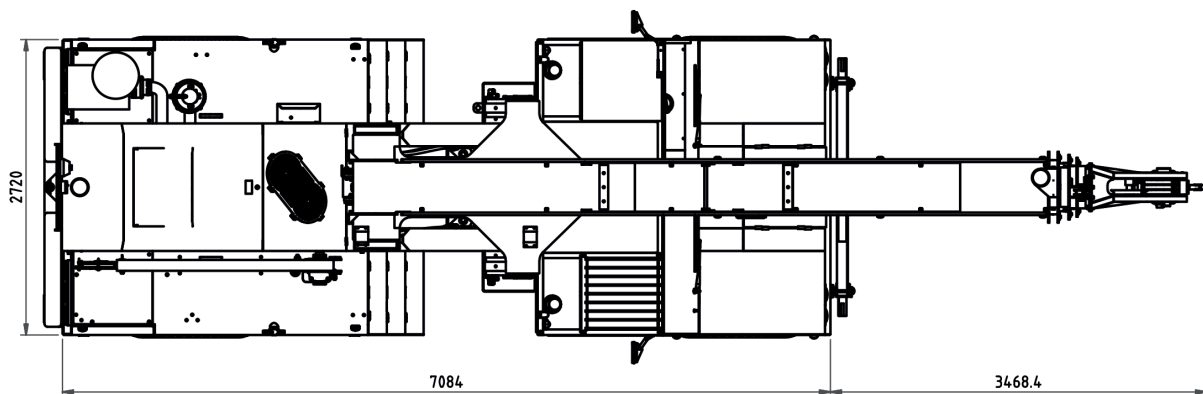


HUMMA

UV35-25

35T PICK & CARRY

DIMENSIONS



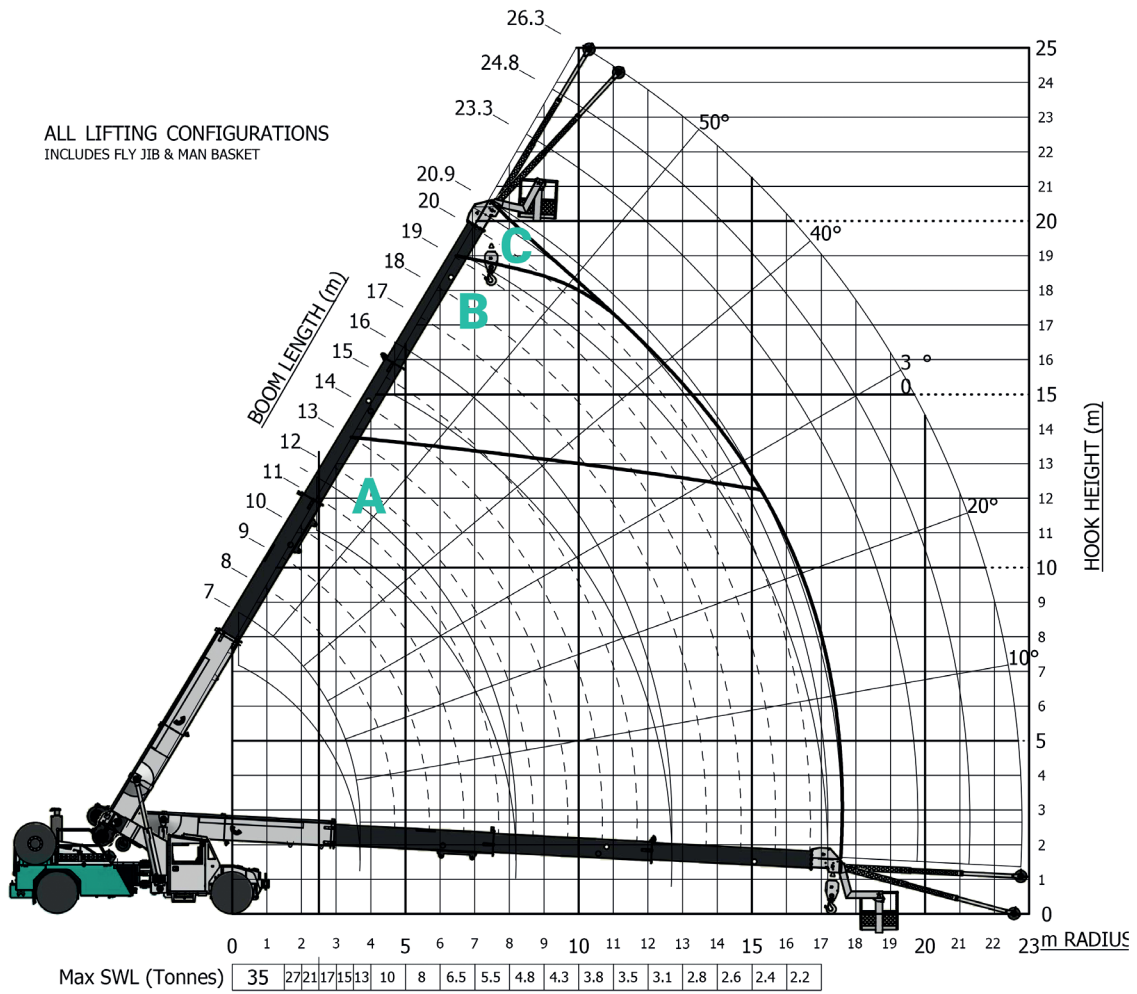
HUMMA



UV35-25

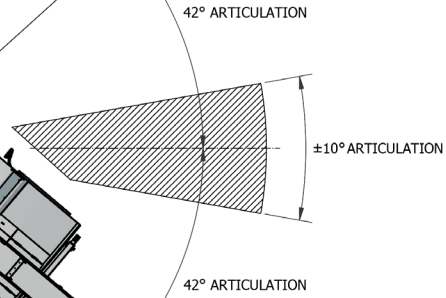
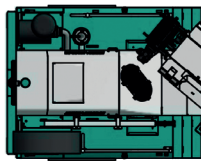
35T PICK & CARRY

WORKING RANGE



WORKING AREA

Winch Safe Working Loads	
Single Part	5000kg
Two Parts	10000kg
Four Parts	20000kg
Six Parts	30000kg



WINCH ROPE SPECIFICATION	
16mm 35x7 G2070 NON ROTATING WIRE ROPE. MIN MBF 196.2 KN	
FALLS WHERE THE ROPE TOUCHES THE GROUND	FALLS
A	2,4,6
B	2,4
C	2



HUMMA

UV35-25

35T PICK & CARRY

RATED LIFTING CAPACITY - WINCH (STATIC)

STATIONARY RATED CAPACITY CHART 109, 110 RATED CAPACITIES ON MAIN WINCH ROPE (Kilograms) ±10°, ±42° ARTICULATION - NO PICK AND CARRY PERMITTED

CAPACITIES ON SHEAVE HOOK IN KILOGRAMS NO COUNTERWEIGHT														109 LMI CHART		
														110 LMI CHART		
RAD	BOOM LENGTH															
	7.225	8	9	10	11	12	13	14	15	16	17	18	19	20	20.725	
1.5	30000	30000	30000	30000												
	25707	23053	20556	18714												
	48	53	58	62												
2	24911	24750	24582	24447	24336											
	21134	18745	16547	14949	13732											
	43	49	54	58	61											
3	16062	15939	15809	15703	15616	15363	15533									
	14243	14120	12635	11228	10184	9252	8763									
	29	38	46	51	55	58	61									
4	12373	11527	11419	11329	11255	11035	11184	11311	11420							
	10930	10162	10055	9436	8436	7559	7122	6758	6451							
	3.78	23	35	43	48	53	56	59	61							
5		9888	8780	8703	8637	8438	8574	8690	8790	8877	8954					
		8690	7688	7611	7426	6548	6135	5796	5511	5269	5059					
		4.56	22	34	41	46	50	54	57	59	61					
6			7705	6947	6889	6705	6833	6942	7036	7117	7189	7253	7310			
			6723	6038	5979	5795	5480	5151	4879	4649	4452	4280	4128			
			5.56	20	32	39	44	48	52	55	57	59	61			
7				6188	5637	5465	5588	5692	5782	5860	5929	5990	6044	6093	6125	
				5356	4858	4685	4808	4692	4424	4201	4011	3847	3703	3575	3492	
				6.56	19	30	37	43	47	50	53	55	57	59	60	
8					5073	4532	4653	4755	4842	4917	4983	5042	5094	5141	5172	
					4350	3850	3971	4073	4084	3862	3676	3516	3377	3255	3175	
					7.56	19	29	36	41	45	48	51	54	56	57	
9						4097	3924	4024	4109	4183	4247	4304	4355	4401	4431	
						3459	3317	3418	3503	3577	3411	3254	3118	2999	2922	
						8.56	18	28	35	40	44	47	50	52	54	
10							3576	3438	3523	3595	3658	3714	3764	3808	3838	
							3004	2892	2977	3049	3113	3040	2906	2790	2714	
							9.56	17	27	34	38	42	46	48	50	
11								3153	3041	3114	3176	3231	3280	3324	3353	
								2636	2545	2617	2680	2735	2729	2614	2539	
								10.56	16	26	33	37	41	44	46	
12									2803	2711	2773	2828	2876	2919	2948	
									2331	2256	2319	2373	2421	2463	2390	
									11.56	16	25	32	36	40	42	
13										2509	2431	2486	2534	2577	2605	
										2074	2012	2066	2114	2157	2185	
										12.56	15	25	31	35	38	
14											2258	2192	2241	2283	2311	
											1856	1802	1851	1893	1921	
											13.56	15	24	30	33	
15												2042	1985	2028	2056	
												1667	1621	1664	1692	
												14.56	15	23	28	
16													1854	1804	1833	
													1503	1463	1492	
													15.56	14	21	
17														1688	1634	
														1359	1313	
														16.56	10	
17.39															1570	
															1256	0



UV35-25

35T PICK & CARRY

RATED LIFTING CAPACITY - WINCH (PICK & CARRY)

RATED CAPACITY CHART 101, 102 RATED CAPACITIES ON MAIN WINCH ROPE (Kilograms) ±10°, ±42° ARTICULATION

CAPACITIES ON SHEAVE HOOK IN KILOGRAMS NO COUNTERWEIGHT														101 LMI CHART	
BOOM LENGTH														102 LMI CHART	
RAD	7.225	8	9	10	11	12	13	14	15	16	17	18	19	20	20.725
1.4	30000	30000	30000	30000											
	23972	21544	19251	17555											
	50	54	59	62											
2	22152	22010	21862	21743	21645										
	18741	16624	14677	13261	12184										
	43	49	54	58	61										
3	14282	14174	14059	13966	13889	13665	13816								
	12665	12557	11211	9964	9038	8213	7778								
	29	38	46	51	55	59	61								
4	10998	10249	10155	10076	10010	9816	9948	10060	10158						
	9716	9036	8942	8375	7488	6711	6323	6000	5727						
	3.78	23	36	43	49	53	56	59	61						
5		8789	7807	7739	7681	7505	7626	7729	7818	7895	7964				
		7042	6836	6769	6593	5814	5447	5146	4894	4679	4493				
		4.56	22	34	41	46	50	54	57	59	61				
6			6849	6177	6126	5963	6077	6174	6258	6330	6394	6451	6502		
			5536	5369	5318	5155	4866	4575	4333	4129	3954	3801	3667		
			5.56	21	32	39	44	48	52	55	57	59	61		
7				5501	5013	4860	4970	5063	5143	5212	5273	5327	5376	5419	5448
				4460	4320	4167	4277	4167	3930	3732	3563	3417	3289	3176	3102
				6.56	19	31	38	43	47	50	53	55	57	59	60
8					4509	4030	4138	4229	4306	4373	4432	4484	4531	4573	4600
					3653	3424	3532	3622	3628	3430	3265	3123	3000	2891	2820
					7.56	19	29	36	41	45	48	51	54	56	57
9						3642	3489	3579	3655	3720	3778	3828	3874	3914	3941
						2924	2950	3040	3116	3181	3030	2891	2770	2665	2596
						8.56	18	28	35	40	44	47	50	52	54
10							3178	3057	3133	3197	3254	3303	3348	3387	3413
							2553	2572	2648	2712	2768	2701	2582	2479	2412
							9.56	17	27	34	38	42	46	48	50
11								2802	2704	2769	2825	2873	2917	2956	2982
								2249	2263	2328	2383	2432	2425	2322	2256
								10.56	17	26	33	37	41	44	46
12									2492	2410	2466	2515	2558	2596	2622
									1996	2006	2062	2111	2154	2189	2123
									11.56	16	25	32	36	40	42
13										2230	2162	2211	2254	2292	2317
										1781	1789	1838	1881	1919	1944
										12.56	15	25	31	35	38
14											2007	1949	1993	2031	2056
											1598	1603	1646	1684	1709
											13.56	15	24	30	33
15												1815	1765	1804	1829
												1438	1442	1480	1505
												14.56	15	23	28
16													1648	1604	1630
													1299	1301	1326
													15.56	14	21
17														1501	1453
														1176	1168
														16.56	10
17.39															1396
															1117
															0



HUMMA

UV35-25

35T PICK & CARRY

RATED LIFTING CAPACITY - RHINO (PICK & CARRY)

RATED CAPACITY CHART 107, 108

RATED CAPACITIES ON RHINO HOOK (Kilograms)

±10°, ±42° ARTICULATION

CAPACITIES ON RHINO HOOK IN KILOGRAMS																	107 LMI CHART	
NO COUNTERWEIGHT																	108 LMI CHART	
RAD	BOOM LENGTH																	
	7.57	8	9	10	11	12	13	14	15	16	17	18	19	20	21			
1.5	20000	20000	20000	20000														
	20000	20000	18294	16650														
2	51	54	58	62														
	20000	20000	20000	20000	20000													
3	17826	16724	14752	13321	12232													
	46	49	54	59	62													
4	14435	14368	14235	14128	14039	13735	13881											
	12818	12751	11305	10038	9099	8216	7780											
5	34	38	46	51	56	59	61											
	10463	10414	10304	10213	10137	9872	10001	10111	10205									
6	9250	9201	9091	8463	7560	6723	6332	6007	5733									
	13	23	36	43	49	53	56	59	61									
7		8940	7940	7861	7794	7554	7672	7773	7859	7935	8001							
		7876	6969	6891	6675	5833	5462	5158	4904	4687	4499							
8		4.56	22	34	41	47	51	54	57	59	61							
			6973	6289	6230	6007	6118	6213	6295	6366	6428	6484	6533					
9			6100	5480	5421	5198	4886	4590	4347	4140	3963	3809	3674					
			5.56	21	32	39	45	49	52	55	57	59	61					
10				5605	5109	4900	5007	5098	5177	5245	5304	5357	5404	5446	5485			
				4866	4416	4206	4314	4187	3946	3746	3575	3427	3298	3184	3083			
11				6.56	20	31	38	43	47	50	53	55	57	59	61			
					4600	4066	4173	4262	4337	4403	4461	4512	4557	4598	4635			
12					3958	3459	3566	3655	3647	3447	3279	3136	3011	2901	2804			
					7.56	19	30	36	41	45	49	51	54	56	58			
13						3674	3521	3609	3684	3748	3805	3854	3898	3938	3974			
						3107	2981	3070	3145	3209	3047	2905	2783	2676	2582			
14						8.56	18	28	35	40	44	47	50	52	54			
							3207	3085	3160	3224	3279	3328	3371	3410	3445			
15							2699	2600	2675	2739	2794	2717	2596	2491	2399			
							9.56	17	27	34	39	43	46	49	51			
16								2828	2730	2794	2849	2897	2939	2977	3012			
								2369	2289	2353	2408	2456	2441	2336	2246			
17								10.56	17	26	33	37	41	45	47			
									2515	2434	2489	2537	2579	2617	2651			
18									2095	2029	2085	2133	2175	2205	2114			
									11.56	16	26	32	36	40	43			
19										2252	2183	2232	2274	2312	2345			
										1866	1810	1859	1901	1938	1972			
20										12.56	16	25	31	35	39			
											2028	1969	2012	2050	2083			
21											1670	1623	1666	1703	1736			
											13.56	15	24	30	35			
22												1834	1784	1822	1855			
												1501	1460	1499	1532			
23												14.56	15	24	29			
													1665	1622	1656			
24													1354	1318	1353			
													15.56	14	23			
25														1517	1479			
														1224	1193			
26														16.56	14			
															1386			
27															1109			
															17.56			



HUMMA



UV35-25

35T PICK & CARRY

RATED LIFTING CAPACITY - WINCH (STATIC SUPERLIFT)

STATIONARY RATED CAPACITY CHART 309, 310

RATED CAPACITIES ON MAIN WINCH ROPE (Kilograms)

±10°, ±42° ARTICULATION - NO PICK AND CARRY PERMITTED

CAPACITIES ON SHEAVE HOOK IN KILOGRAMS														309 LMI CHART		
3000KG COUNTERWEIGHT														310 LMI CHART		
RAD	BOOM LENGTH															
	7.225	8	9	10	11	12	13	14	15	16	17	18	19	20	20.725	
1.5	30000	30000	30000	30000												
	30000	29032	25924	23628												
	48	53	58	62												
2	30000	30000	30000	30000	30000											
	26678	23698	20953	18955	17431											
	43	49	54	58	61											
3	20589	20466	20336	20230	20143	19890	20060									
	18122	18000	16140	14366	13048	11903	11242									
	29	38	46	51	55	58	61									
4	15963	14922	14814	14724	14650	14431	14579	14706	14815							
	14007	13072	12964	12191	10918	9833	9232	8735	8318							
	3.78	23	35	43	48	53	56	59	61							
5	12867	11496	11419	11353	11154	11290	11406	11506	11593	11670						
	11244	10016	9939	9717	8623	8043	7571	7178	6844	6557						
	4.56	22	34	41	46	50	54	57	59	61						
6	10149	9211	9153	8968	8906	9205	9299	9381	9453	9517	9574					
	8817	7977	7919	7735	7274	6808	6424	6102	5827	5588	5379					
	5.56	20	32	39	44	48	52	55	57	59	61					
7	8259	7578	7405	7528	7632	7722	7800	7869	7930	7984	8033	8065				
	7131	6520	6348	6471	6280	5895	5576	5307	5075	4872	4694	4578				
	6.56	19	30	37	43	47	50	53	55	57	59	60				
8	6869	6230	6351	6452	6539	6615	6681	6739	6792	6839	6870					
	5890	5305	5426	5527	5512	5189	4919	4689	4491	4317	4204					
	7.56	19	29	36	41	45	48	51	54	56	57					
9	5684	5433	5533	5618	5692	5756	5813	5864	5910	5940						
	4819	4611	4711	4796	4870	4623	4392	4194	4022	3910						
	8.56	18	28	35	40	44	47	50	52	54						
10	4996	4796	4881	4953	5016	5072	5122	5166	5196							
	4222	4056	4141	4213	4277	4157	3957	3785	3674							
	9.56	17	27	34	38	42	46	48	50							
11	4439	4276	4348	4411	4466	4514	4558	4587								
	3738	3603	3676	3738	3793	3767	3592	3480								
	10.56	16	26	33	37	41	44	46								
12	3978	3842	3905	3960	4008	4051	4080									
	3338	3226	3289	3343	3391	3433	3319									
	11.56	16	25	32	36	40	42									
13	UNDER LINED VALUES INDICATE RADIUS AT 0 DEG									3590	3476	3531	3579	3622	3650	
										3001	2907	2962	3010	3052	3081	
										12.56	15	25	31	35	38	
14										3260	3162	3211	3253	3281		
										2714	2634	2682	2725	2753		
										13.56	15	24	30	33		
15											2975	2891	2934	2962		
											2467	2397	2440	2468		
											14.56	15	23	28		
16												2727	2653	2682		
												2251	2191	2219		
												15.56	14	21		
17													2508	2433		
													2062	1998		
													16.56	10		
17.39														2351		
														1926		
														0		

HUMMA / UV35-25 35T PICK & CARRY



HUMMA

UV35-25

35T PICK & CARRY

RATED LIFTING CAPACITY - WINCH (PICK & CARRY SUPERLIFT)

RATED CAPACITY CHART 301, 302

RATED CAPACITIES ON MAIN WINCH ROPE (Kilograms)

±10°, ±42° ARTICULATION

CAPACITIES ON SHEAVE HOOK IN KILOGRAMS														301 LMI CHART		
3000KG COUNTERWEIGHT														302 LMI CHART		
BOOM LENGTH																
RAD	7.225	8	9	10	11	12	13	14	15	16	17	18	19	20	20.725	
1.5	30000	30000	30000	30000												
	28739	25807	23044	21003												
	48	53	58	62												
2	28179	28036	27886	27766	27667											
	23714	21065	18625	16849	15494											
	43	49	54	58	61											
3	18301	18192	18076	17982	17905	17680	17831									
	16109	16000	14346	12770	11598	10580	9993									
	29	38	46	51	55	58	61									
4	14189	13264	13168	13088	13022	12827	12959	13072	13169							
	12451	11620	11524	10836	9705	8741	8206	7765	7393							
	3.78	23	35	43	48	53	56	59	61							
5		11438	10219	10150	10091	9914	10035	10138	10227	10305	10373					
		9995	8903	8835	8637	7665	7150	6730	6380	6084	5828					
		4.56	22	34	41	46	50	54	57	59	61					
6			9021	8187	8136	7972	8085	8182	8266	8338	8402	8459	8510			
			7838	7091	7039	6875	6466	6051	5711	5424	5179	4967	4782			
			5.56	20	32	39	44	48	52	55	57	59	61			
7				7341	6736	6582	6692	6784	6864	6934	6995	7049	7097	7140	7169	
				6338	5796	5643	5752	5582	5240	4957	4717	4511	4331	4173	4069	
				6.56	19	30	37	43	47	50	53	55	57	59	60	
8					6106	5538	5645	5735	5813	5880	5938	5991	6037	6079	6107	
					5236	4715	4823	4913	4900	4612	4372	4168	3992	3837	3737	
					7.56	19	29	36	41	45	48	51	54	56	57	
9						5052	4829	4919	4994	5059	5117	5167	5213	5253	5280	
						4284	4098	4188	4263	4329	4109	3904	3728	3575	3476	
						8.56	18	28	35	40	44	47	50	52	54	
10							4441	4263	4339	4403	4459	4509	4553	4592	4619	
							3753	3605	3681	3745	3801	3695	3517	3364	3266	
							9.56	17	27	34	38	42	46	48	50	
11								3946	3801	3865	3921	3969	4013	4052	4077	
								3323	3203	3267	3323	3371	3348	3193	3093	
								10.56	16	26	33	37	41	44	46	
12									3536	3415	3471	3520	3563	3601	3626	
									2967	2867	2923	2972	3014	3052	2950	
									11.56	16	25	32	36	40	42	
13											3192	3090	3139	3181	3219	3244
											2668	2584	2633	2675	2713	2738
											12.56	15	25	31	35	38
14												2898	2811	2854	2892	2917
												2413	2341	2384	2422	2447
												13.56	15	24	30	33
15													2645	2569	2608	2633
													2193	2131	2169	2194
													14.56	15	23	28
16														2424	2358	2384
														2001	1947	1972
														15.56	14	21
17															2230	2163
															1832	1776
															16.56	10
17.39																2090
																1712
																0

HUMMA



UV35-25

35T PICK & CARRY

RATED LIFTING CAPACITY - RHINO (SUPERLIFT)

RATED CAPACITY CHART 307, 308 RATED CAPACITIES ON RHINO HOOK (Kilograms) ±10°, ±42° ARTICULATION

CAPACITIES ON RHINO HOOK IN KILOGRAMS															307 LMI CHART
3000KG COUNTERWEIGHT															308 LMI CHART
RAD	BOOM LENGTH														
	7.57	8	9	10	11	12	13	14	15	16	17	18	19	20	21
1.5	20000	20000	20000	20000											
	20000	20000	20000	20000											
2	51	54	58	62											
	20000	20000	20000	20000	20000										
3	46	49	54	59	62										
	18459	18392	18259	18152	18063	17759	17905								
4	34	38	46	51	56	59	61								
	16266	16200	14395	12805	11625	10555	9968								
5	13	23	36	43	49	53	56	59	61						
	13481	13432	13322	13231	13155	12890	13019	13129	13223						
6		11588	10354	10276	10209	9968	10086	10187	10274	10349	10416				
		10146	9039	8960	8700	7666	7148	6727	6377	6079	5823				
7		4.56	22	34	41	47	51	54	57	59	61				
			9145	8301	8242	8019	8130	8225	8307	8378	8440	8495	8545		
8			7961	7205	7146	6922	6472	6055	5713	5425	5179	4967	4781		
			5.56	21	32	39	45	49	52	55	57	59	61		
9				7446	6833	6624	6732	6823	6901	6969	7029	7082	7129	7171	7209
				6443	5894	5684	5792	5592	5247	4962	4721	4514	4333	4174	4034
10				6.56	20	31	38	43	47	50	53	55	57	59	61
					6197	5574	5682	5771	5846	5912	5970	6021	6066	6107	6144
11					5327	4752	4860	4948	4911	4621	4380	4174	3997	3841	3704
					7.56	19	30	36	41	45	49	51	54	56	58
12						5084	4862	4951	5025	5090	5146	5195	5240	5279	5315
						4316	4131	4220	4294	4359	4119	3912	3735	3581	3446
13						8.56	18	28	35	40	44	47	50	52	54
							4470	4292	4367	4431	4486	4535	4578	4617	4652
14							3782	3635	3710	3773	3829	3707	3527	3373	3238
							9.56	17	27	34	39	43	46	49	51
15								3972	3827	3891	3946	3994	4037	4075	4109
								3349	3229	3293	3348	3396	3360	3203	3067
16								10.56	17	26	33	37	41	45	47
									3560	3440	3495	3543	3585	3623	3657
17									2991	2891	2947	2995	3037	3064	2925
									11.56	16	26	32	36	40	43
18										3213	3112	3161	3203	3240	3274
										2689	2606	2655	2697	2734	2768
19										12.56	16	25	31	35	39
											2918	2832	2874	2912	2945
20											2433	2362	2405	2442	2475
											13.56	15	24	30	35
21												2663	2589	2627	2660
												14.56	15	24	29
22													2441	2376	2410
													2019	1965	1999
23													15.56	14	23
														2246	2189
24														1849	1802
														16.56	14
25															2073
															1699
17.74															17.56

HUMMA / UV35-25 35T PICK & CARRY