

FRANNA

AT40

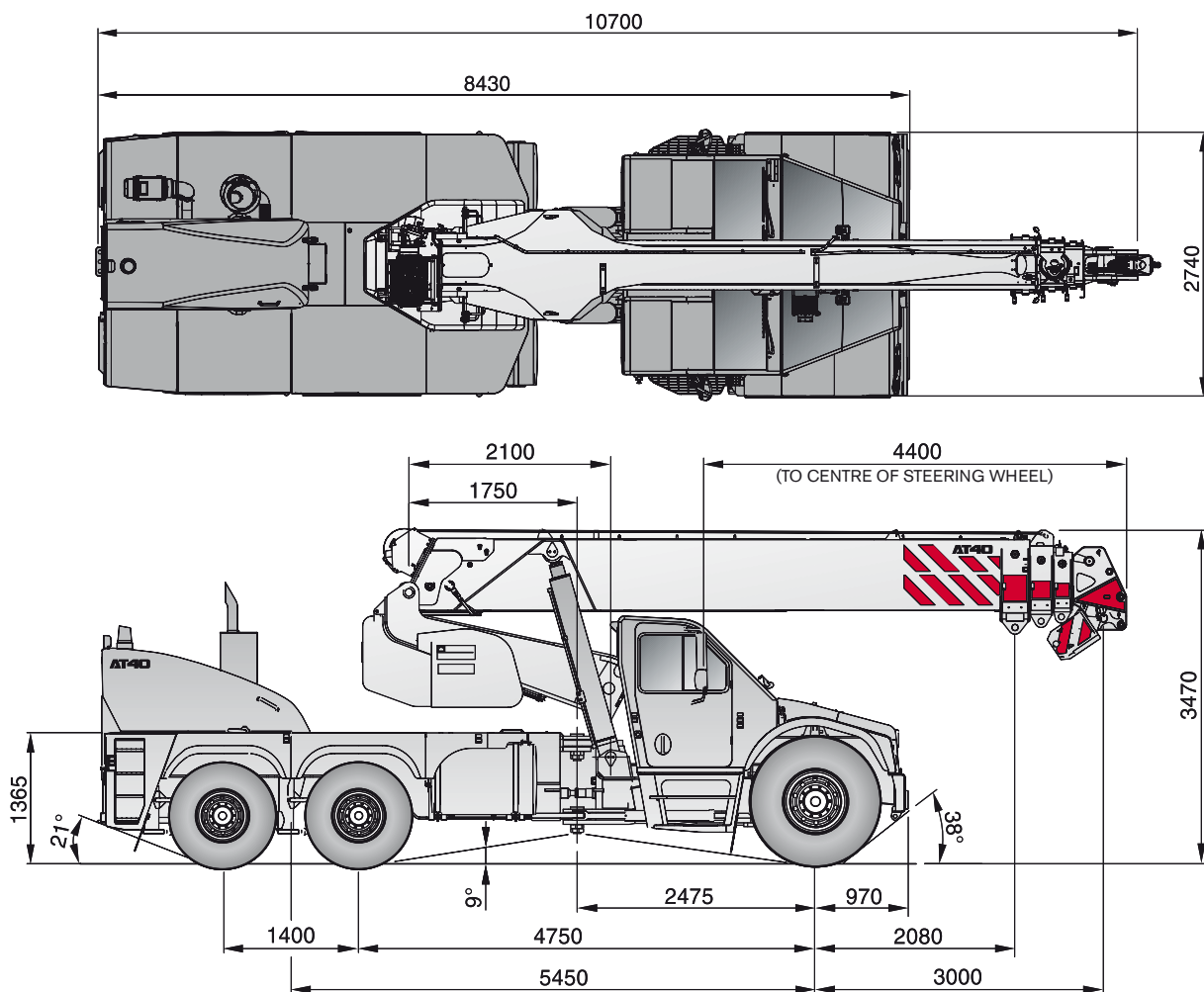
40T Pick and Carry



40 TONNE

FRANNA AT40

DIMENSIONS



Tyres

Front axle: 385/95R25
Axle 2 & Axle 3: 315/80R22.5

Standard Features

Automatic greasing system
Engine monitoring
Cruise control

Cabin

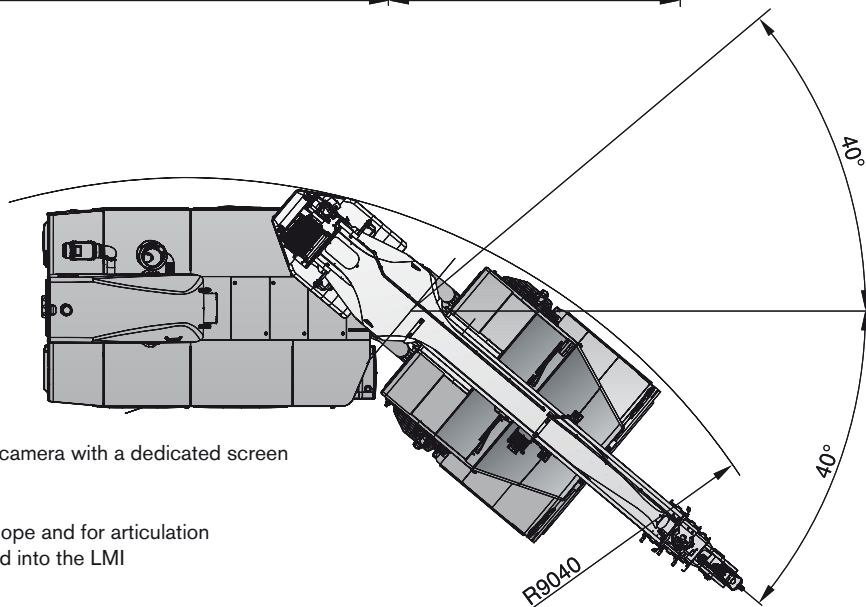
Full width isolated cabin
Ducted air conditioning and demister
GPS and MP3 player with Bluetooth
Reversing camera plus a separate rear view camera with a dedicated screen

LMI

MRC calculation: Dynamically de-rates for slope and for articulation
Service diagnostics & data logging integrated into the LMI

Suspension

Hydro-pneumatic suspension
Suspension modes: There are a number of button selectable optional suspension arrangements.
Some examples are:
– High Clearance mode; suspension fully extended, increasing the rear clearance by 110 mm.
– Two axle: During crane mode axle 3 can be raised to reduce turning circle and eliminate tyre drag.



Maximum Rated Capacity

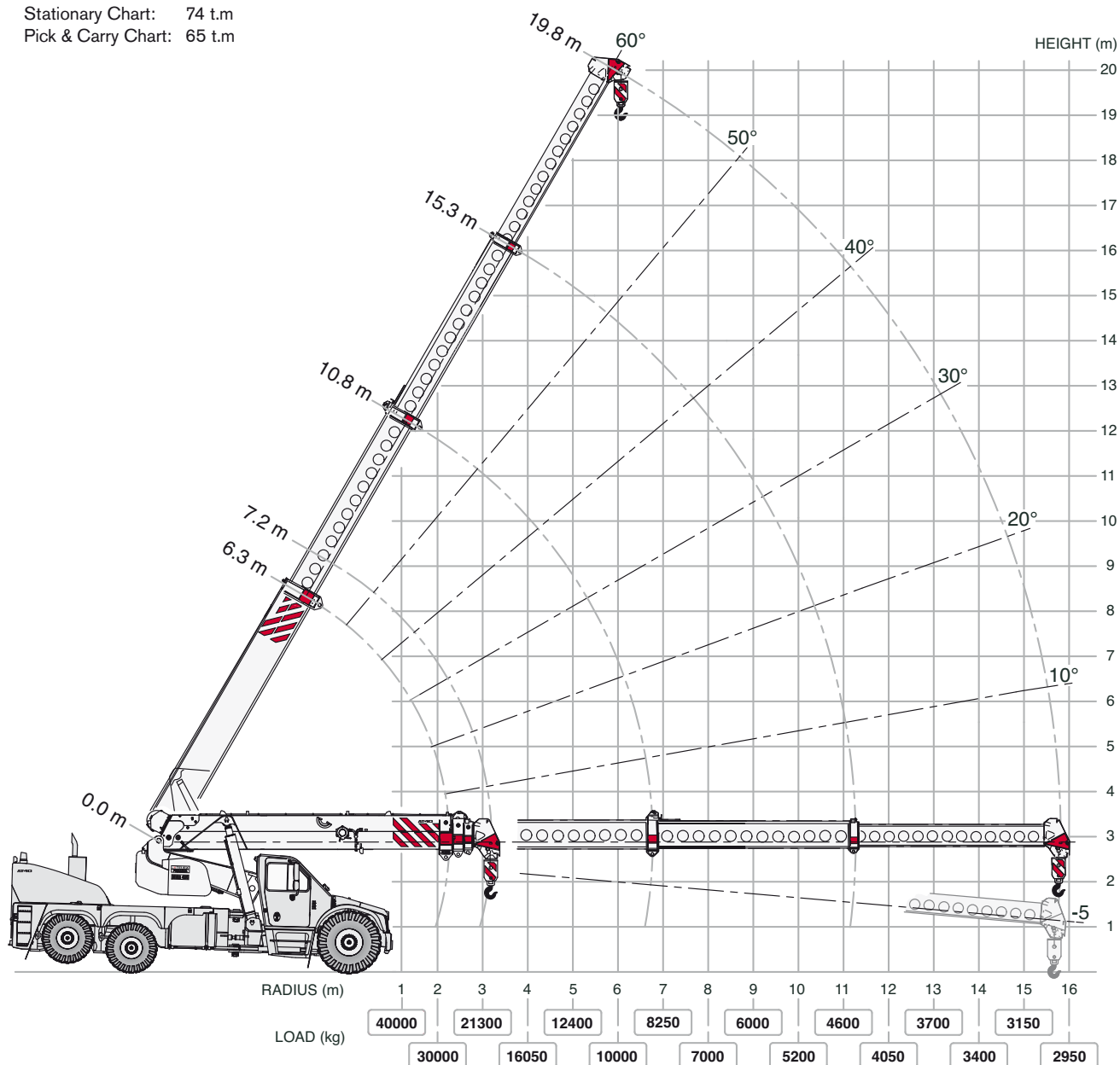
MRC on LUG: 40 tonne

MRC on WINCH: 30 tonne

Maximum Load Moment

Stationary Chart: 74 t.m

Pick & Carry Chart: 65 t.m



NOTE: Rated Capacity values shown are for the Pick and Carry Chart.
The Stationary Chart will give higher rated capacities.



METCALF
CRANE SERVICES

40 TONNE

FRANNA AT40

LOAD CHART - RATED CAPACITY CHART STATIC - FALL BLOCK

Rad	BOOM LENGTH - 3rd BOOM RETRACTED														3rd BOOM EXTENDING				Rad
	7.23	7.50	8.00	8.50	9.00	9.50	10.00	10.50	11.00	12.00	13.00	14.00	15.00	16.00	17.00	18.00	19.83		
1.0	30100	30100	30100	30100	30100	30100												1.0	
	30100	30100	30100	28750	25550	23000													
	47	49	52	55	57	59													
2.0	30100	30100	30100	30100	30100	30100	30100	30100	30100									2.0	
	30100	30100	26150	22900	20500	18550	17000	15650	14550										
	34	37	42	46	49	52	54	56	58										
2.5	30100	30100	30100	30100	29600	29100	28650	28200	27400									2.5	
	29450	29500	29550	29600	29300	25500	22650	20400	18550	15750									
	27850	27900	24350	21150	18850	17050	15600	14400	13400	11750									
	25	30	36	41	44	47	50	52	55	58									
3.0	24750	24800	24850	24900	24950	25000	25000	24850	24500	23850	23250							3.0	
	24050	24150	24200	24250	24300	24350	22000	19750	17900	15150	13150								
	22750	22800	22900	19950	17650	15900	14550	13400	12450	10950	9750								
	11	20	29	35	39	43	46	49	51	55	58								
3.5	23850	21750	20950	21000	21050	21100	21100	21150	21150	21050	20550	20100						3.5	
	23200	21150	20400	20450	20500	20500	20550	19300	17450	14700	12750	11200							
	21900	19950	19250	19300	16800	15050	13650	12600	11700	10250	9150	8250							
	(3.1)	0	19	28	34	38	42	45	48	52	56	59							
4.0			18650	18050	18100	18150	18200	18200	18200	18250	18250	18000	17650					4.0	
			18150	17550	17600	17650	17700	17700	17150	14350	12350	10900	9700						
			17100	16550	16500	14450	13050	11950	11050	9650	8600	7750	7050						
5.0			0	19	27	33	37	41	44	49	53	56	59						
			16250	14400	14000	14050	14100	14100	14150	14150	14200	14200	14250	14250				5.0	
			15800	14000	13650	13650	13700	13700	13750	11850	10350	9200	8300	7700					
			14900	13150	12850	12450	11150	10150	8750	7750	6950	6350	5850	5550					
6.0			(4.4)	0	18	26	31	36	42	47	51	54	57	59					
					12850	11550	11350	11350	11400	11450	11450	11450	11500	11650	11800			6.0	
					12500	11250	11000	11050	11050	11100	10000	8850	7950	7350	6850				
					11750	10550	10350	9850	8200	7150	6350	5750	5300	5000	4800				
7.0					(5.4)	0	17	25	34	40	45	49	52	55	58				
							10500	9600	9450	9450	9500	9500	9550	9700	9800	10000		7.0	
							10200	9300	9150	9200	9200	8600	7700	7050	6550	5800			
							9550	8700	8050	6750	5950	5300	4850	4600	4400	4050			
8.0							(6.4)	0	24	33	39	44	48	51	54	58			
									8100	8000	8000	8050	8100	8200	8350	8500			
									7850	7750	7750	7800	7550	6900	6350	5600			
									7350	6700	5650	5000	4550	4300	4050	3750			
									0	23	32	38	42	46	50	54			
										6950	6850	6900	6950	7050	7200	7350		9.0	
										6700	6650	6650	6700	6800	6200	5450			
										6250	5650	4800	4300	4000	3800	3500			
										0	22	31	37	41	45	51			
											6050	5950	6000	6150	6250	6450		10.0	
11.0										5850	5750	5800	5950	6050	5350				
										5400	4800	4150	3800	3600	3250				
										0	21	30	36	40	47				
											5300	5250	5400	5500	5650			11.0	
											5100	5100	5200	5300	5250				
											4750	4200	3700	3450	3100				
											0	21	29	35	42				
												4700	4750	4850	5050			12.0	
												4500	4600	4700	4850				
												4200	3750	3350	2950				
13.0														0	20	28	38		
															4250	4350	4500	13.0	
															4100	4200	4350		
															3800	3400	2850		
14.0															0	20	32		
																3900	4050	14.0	
																3500	2850		
																0	26		
15.0																	3650	15.0	
																	2950		
15.683																	17		
																	3350	15.683	
																	3000		
																	0		
	13.00	14.00	15.00	16.00	17.00	18.00	19.83												

WINCH RATED CAPACITY

2 PARTS	8600
4 PARTS	17200
6 PARTS	25800
7 PARTS	30100

UNITS:

- ANGLES IN DEGREES
- LENGTHS IN METRES
- LOAD IN KILOGRAMS

KEY:

14200	RC @ ARTIC:	0°	PITCH:	-2.3	ROLL:	-1.0
10350	RC @ ARTIC:	20°	PITCH:	-2.3	ROLL:	-3.0
6950	RC @ ARTIC:	35°	PITCH:	-2.3	ROLL:	-3.5
51	BOOM ANGLE					
()	RADIUS AT ZERO BOOM ANGLE					

Note: Pitch & Roll angles indicated are representative of lifts based on firm level ground with tyres at specified pressures.

Rad	BOOM LENGTH - 3rd BOOM RETRACTED														3rd BOOM EXTENDING				Rad
	7.23	7.50	8.00	8.50	9.00	9.50	10.00	10.50	11.00	12.00	13.00	14.00	15.00	16.00	17.00	18.00	19.83		
1.0	30100	30100	30100	30100	30100	30100												1.0	
	30100	30100	28500	25000	22300	20100													
	47	49	52	55	57	59													
2.0	30100	30100	30100	30100	30100	30100	30100	30100	30100									2.0	
	30100	27450	23350	20500	18300	16600	15200	14050	13050										
	34	37	42	46	49	52	54	56	58										
2.5	26850	26900	26950	27000	27050	27050	27100	27100	27100	26350								2.5	
	26150	26200	26250	26300	25450	22250	19800	17850	16300	13850									
	24750	24800	21950	19100	17000	15400	14100	13000	12100	10600									
	25	30	36	41	44	47	50	52	55	58									
3.0	22000	22050	22100	22150	22200	22200	22250	22250	22250	22300	22300							3.0	
	21400	21450	21500	21550	21600	21600	19400	17400	15850	13400	11650								
	20200	20250	20350	18200	16050	14450	13200	12200	11300	9900	8800								
	11	20	29	35	39	43	46	49	51	55	58								
3.5	21200	19300	18600	18650	18700	18750	18750	18800	18800	18800	18850	18850						3.5	
	20600	18800	18100	18150	18200	18250	18250	17150	15500	13050	11300	9950							
	19500	17750	17100	17150	15450	13800	12500	11500	10650	9300	8300	7450							
	(3.1)	0	19	28	34	38	42	45	48	52	56	59							
4.0			16550	16050	16100	16150	16150	16200	16200	16200	16250	16250	16250					4.0	
			16100	15600	15650	15700	15700	15750	15300	12800	11050	9700	8650						
			15200	14750	14800	13350	12000	10950	10150	8850	7850	7050	6400						
			0	19	27	33	37	41	44	49	53	56	59						
5.0				14450	12800	12450	12500	12500	12550	12550	12600	12600	12650	12800				5.0	
				14050	12400	12100	12150	12150	12200	12200	10650	9300	8250	7400	6850				
				13250	11700	11400	11450	10350	9400	8050	7100	6350	5750	5300	5000				
				(4.4)	0	18	26	31	36	42	47	51	54	57	59				
6.0						11400	10300	10050	10100	10150	10150	10200	10250	10350	10450			6.0	
						11100	10000	9800	9800	9850	9850	9050	7950	7150	6600	6100			
						10450	9400	9200	9200	7600	6600	5850	5250	4850	4550	4350			
						(5.4)	0	17	25	34	40	45	49	52	55	58			
7.0								9350	8500	8400	8400	8450	8450	8500	8600	8700	8900	7.0	
								9050	8250	8150	8150	8200	7800	6950	6350	5900	5250		
								8500	7750	7550	6300	5500	4900	4450	4200	4000	3700		
								(6.4)	0	24	33	39	44	48	51	54	58		
8.0										7200	7100	7150	7150	7200	7300	7400	7550	8.0	
										6950	6900	6900	6900	6850	6250	5750	5050		
										6500	6300	5250	4600	4150	3950	3700	3400		
										0	23	32	38	42	46	50	54		
9.0											6150	6100	6100	6150	6300	6400	6550	9.0	
											5950	5900	5950	5950	6100	5650	4950		
											5550	5300	4450	3950	3700	3500	3200		
											0	22	31	37	41	45	51		
10.0												5350	5300	5350	5450	5550	5700	10.0	
												5200	5150	5150	5300	5400	4850		
												4800	4550	3850	3550	3300	3000		
												0	21	30	36	40	47		
11.0													4700	4700	4800	4900	5050	11.0	
													4550	4500	4650	4750	4800		
													4200	3950	3450	3200	2850		
													0	21	29	35	42		
12.0														4150	4250	4350	4500	12.0	
														4000	4100	4200	4350		
														3700	3550	3150	2750		
														0	20	28	38		
13.0															3800	3850	4000	13.0	
															3650	3700	3850		
															3400	3200	2650		
															0	20	32		
14.0																3450	3600	14.0	
																3100	2650		
																0	26		
																	3250		
15.0																	2750	15.0	
																	17		
																	3000		
																	2650		
15.683																	0	15.683	
	13.00	14.00	15.00	16.00	17.00	18.00	19.83												

WINCH RATED CAPACITY

2 PARTS	8600
4 PARTS	17200
6 PARTS	25800
7 PARTS	30100

UNITS:

- ANGLES IN DEGREES
- LENGTHS IN METRES
- LOAD IN KILOGRAMS

KEY:

12600	RC @ ARTIC:	0°	PITCH:	-2.3	ROLL:	-1.0
9300	RC @ ARTIC:	20°	PITCH:	-2.3	ROLL:	-3.0
6350	RC @ ARTIC:	35°	PITCH:	-2.3	ROLL:	-3.5
51	BOOM ANGLE					
(.)	RADIUS AT ZERO BOOM ANGLE					

Note: Pitch & Roll angles indicated are representative of lifts based on firm level ground with tyres at specified pressures.