

MAEDA

MC-405C

4T Mini Crawler

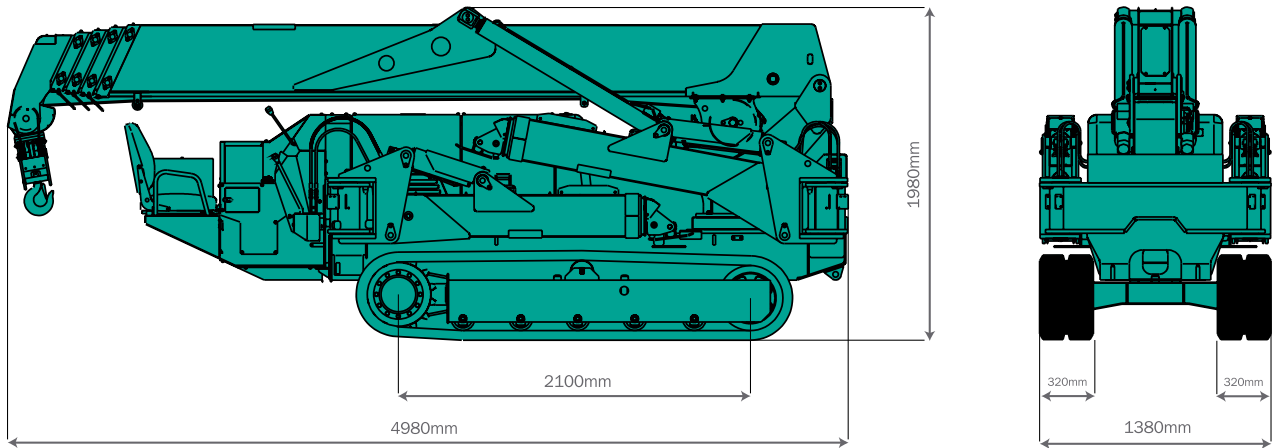


4 TONNE

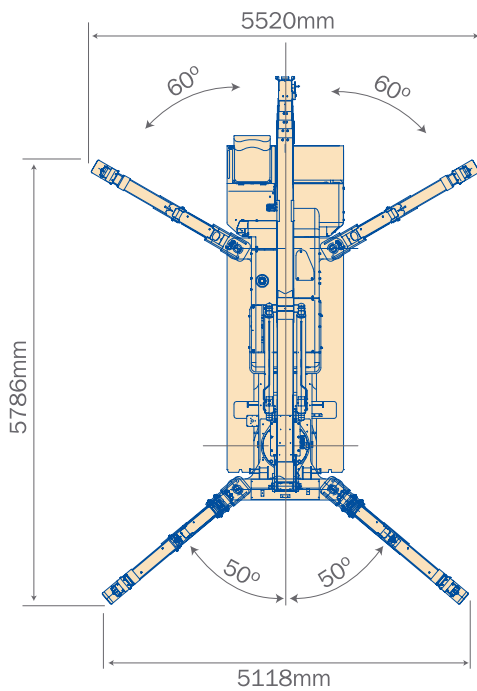
Maeda MC-405c Mini Crawler

Dimensions

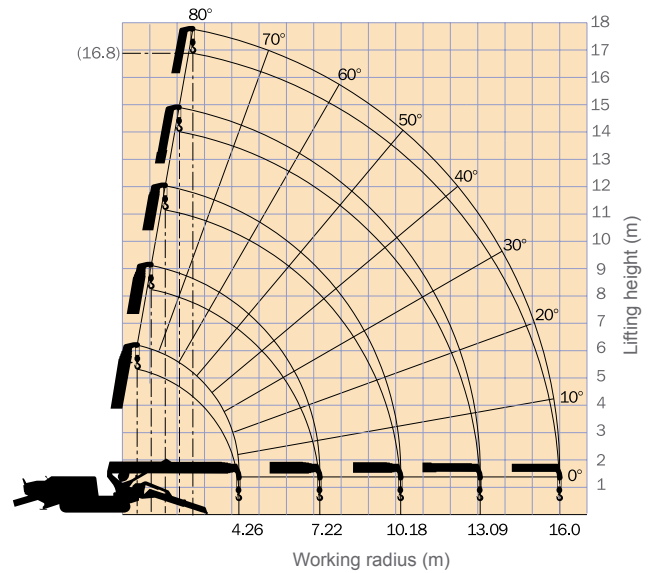
Overall Size



Outrigger Spread Dimensions



Working Range Chart



The Working Range Chart does not take into account boom deflection under load.

The maximum reach below ground level is:

Four Fall	Two Fall	Single Fall
20.50m	41.00m	82.00m



4 TONNE

Maeda MC-405c Mini Crawler

Load Charts

Total rated load (4 falls) Outriggers at Maximum position

4.735m/7.695m boom		10.655m boom		13.565m boom		16.475m boom	
Working radius (m)	Total rated load (kg)	Working radius (m)	Total rated load (kg)	Working radius (m)	Total rated load (kg)	Working radius (m)	Total rated load (kg)
< 2.7	3830	3.5	3030	4.0	2230	5.0	1130
3.5	3030	4.0	2580	4.5	1930	5.5	980
4.0	2580	5.0	2030	5.0	1730	6.0	910
5.0	2030	6.0	1680	6.0	1400	7.0	760
6.0	1680	7.0	1380	7.0	1180	8.0	650
7.0	1380	8.0	1130	8.0	1030	9.0	600
7.25	1330	9.0	880	9.0	930	10.0	550
		10.2	580	10.0	830	11.0	490
				11.0	690	12.0	440
				12.0	530	13.0	380
				13.1	430	14.0	320
						15.0	260
						16.0	210

Total rated load (4 falls) Outriggers at Intermediate position

4.735m/7.695m boom		10.655m boom		13.565m boom		16.475m boom	
Working radius (m)	Total rated load (kg)	Working radius (m)	Total rated load (kg)	Working radius (m)	Total rated load (kg)	Working radius (m)	Total rated load (kg)
< 2.7	3830	3.5	3030	4.0	2230	5.0	1130
3.5	3030	4.0	2580	4.5	1830	5.5	980
4.0	2580	5.0	1880	5.0	1630	6.0	910
5.0	1880	6.0	1430	6.0	1330	7.0	730
6.0	1430	7.0	1130	7.0	1080	8.0	630
7.0	1160	8.0	880	8.0	880	9.0	550
7.25	1120	9.0	740	9.0	730	10.0	480
		10.2	490	10.0	530	11.0	430
				11.0	480	12.0	380
				12.0	430	13.0	330
				13.1	330	14.0	280
						15.0	220
						16.0	180

Total rated load (4 falls) Outriggers at Minimum position

4.735m/7.695m boom		10.655m boom		13.565m boom		16.475m boom	
Working radius (m)	Total rated load (kg)	Working radius (m)	Total rated load (kg)	Working radius (m)	Total rated load (kg)	Working radius (m)	Total rated load (kg)
< 2.7	3830	3.5	3030	4.0	2230	5.0	1130
3.5	3030	4.0	2580	4.5	1830	5.5	980
4.0	2580	5.0	1680	5.0	1630	6.0	880
5.0	1680	6.0	1180	6.0	1180	7.0	730
6.0	1180	7.0	880	7.0	830	8.0	530
7.0	930	8.0	730	8.0	680	9.0	450
7.25	780	9.0	580	9.0	550	10.0	420
		10.2	400	10.0	430	11.0	370
				11.0	380	12.0	330
				12.0	350	13.0	280
				13.1	310	14.0	240
						15.0	190
						16.0	150

4 TONNE

Maeda MC-405c Mini Crawler

Working Radius

Outriggers Position: Max

