

# KATO

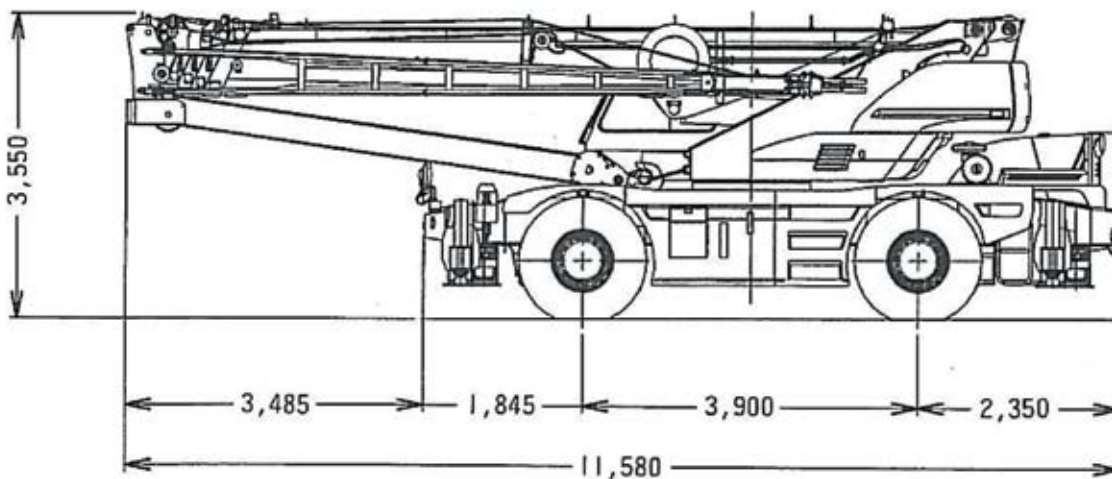
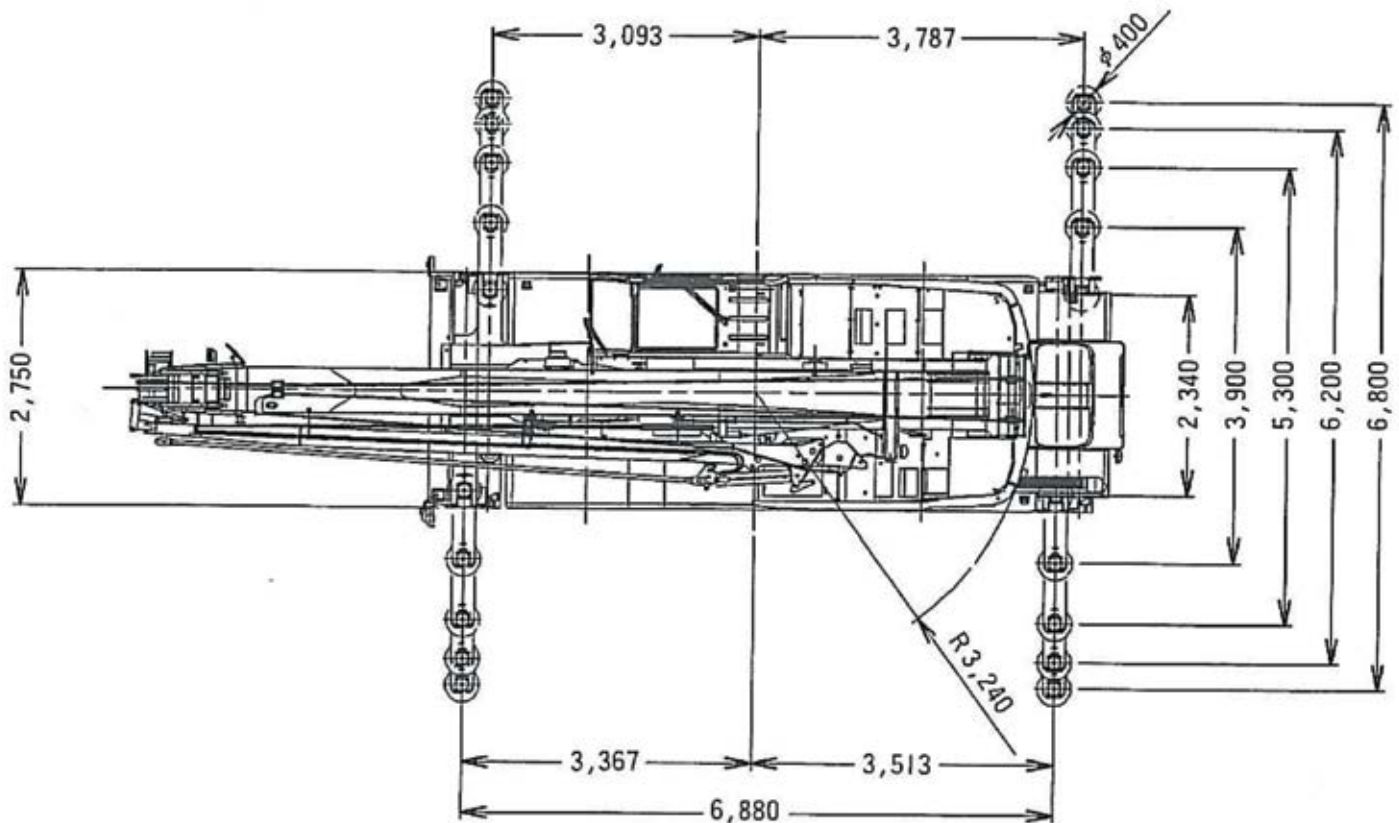
## KR35V

### 35T Rough Terrain





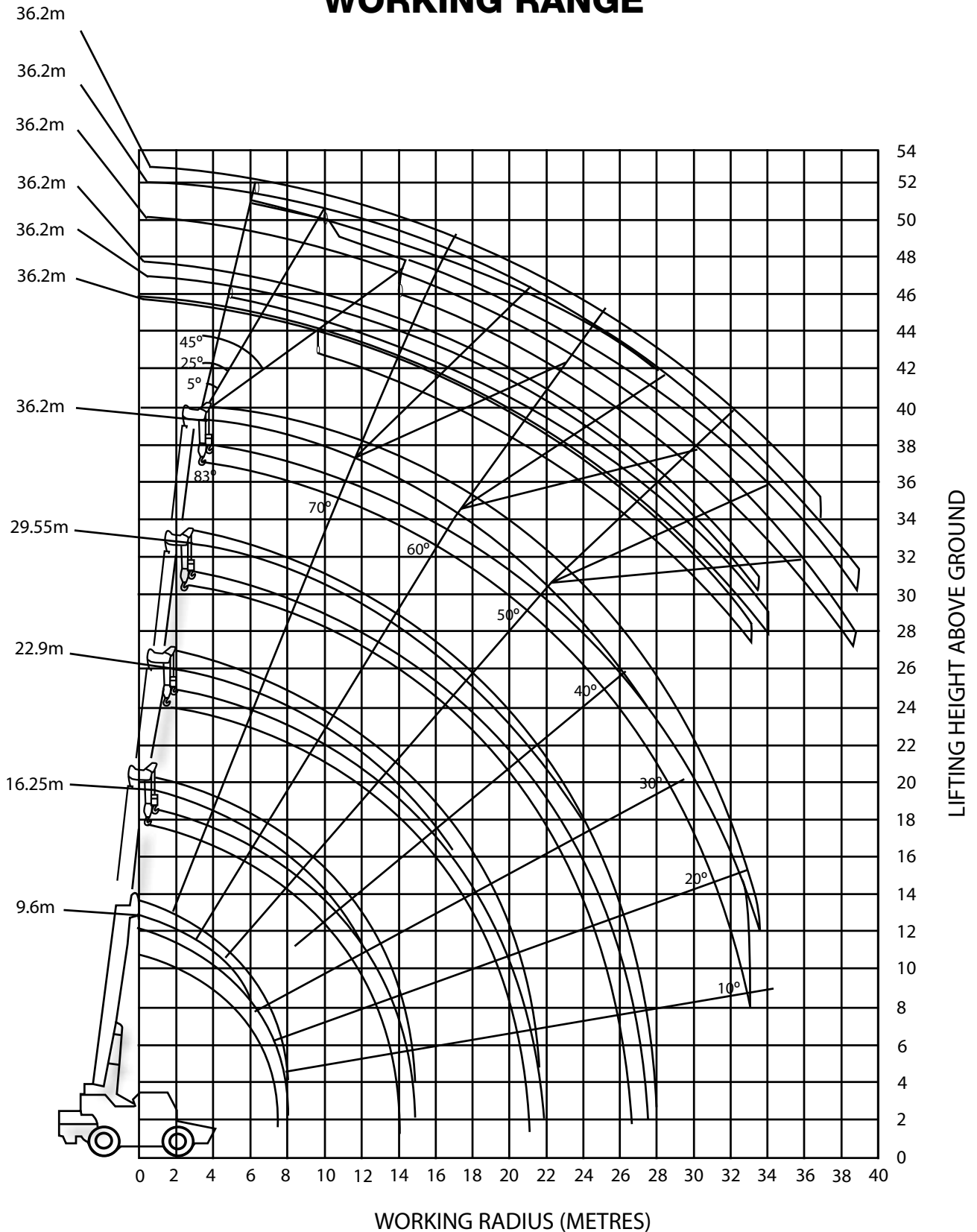
## DIMENSIONS



# 35 TONNE

## Kato KR35V All Terrain

### WORKING RANGE





## RATED LIFTING CAPACITY

Outriggers fully extended - 6.8m					
	Boom Length				
Radius (m)	9.60	16.25	22.90	29.55	36.20
3.0	35.00	22.50	15.50	10.00	
3.5	30.60	22.50	15.50	10.00	7.00
4.0	27.50	22.50	15.50	10.00	7.00
4.5	24.70	20.70	15.50	10.00	7.00
5.0	22.50	19.30	15.50	10.00	7.00
5.5	20.60	17.90	14.40	10.00	7.00
6.0	19.10	16.80	13.45	10.00	7.00
6.5	16.70	15.80	12.55	10.00	7.00
7.0	13.00	14.90	11.85	10.00	7.00
8.0		13.10	10.60	9.00	7.00
9.0		11.20	9.60	8.05	6.40
10.0		9.45	8.60	7.25	5.80
11.0		7.80	7.80	6.60	5.30
12.0		6.50	7.05	6.05	4.90
13.0		5.50	6.30	5.55	4.50
14.0			5.45	5.10	4.15
15.0			4.70	4.70	3.85
16.0			4.10	4.35	3.60
17.0			3.60	4.05	3.35
18.0			3.10	3.60	3.15
19.0			2.70	3.15	2.95
20.0			2.30	2.80	2.75
22.0				2.15	2.40
24.0				1.60	1.85
26.0				1.20	1.45
28.0					1.05
30.0					0.75
32.0					0.50
33.0					0.40
Standard Hook	35t Hook		19t Hook		
Hook Weight	280kg		230kg		
Parts of Line	12 (10)	8	6	4	4