

FRANNA

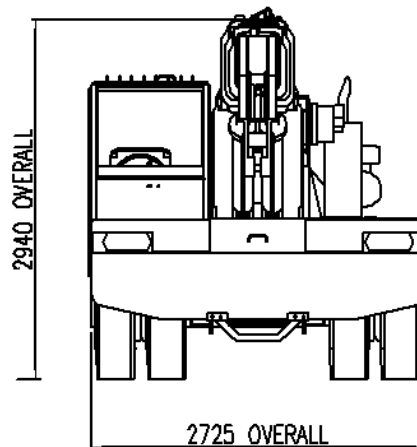
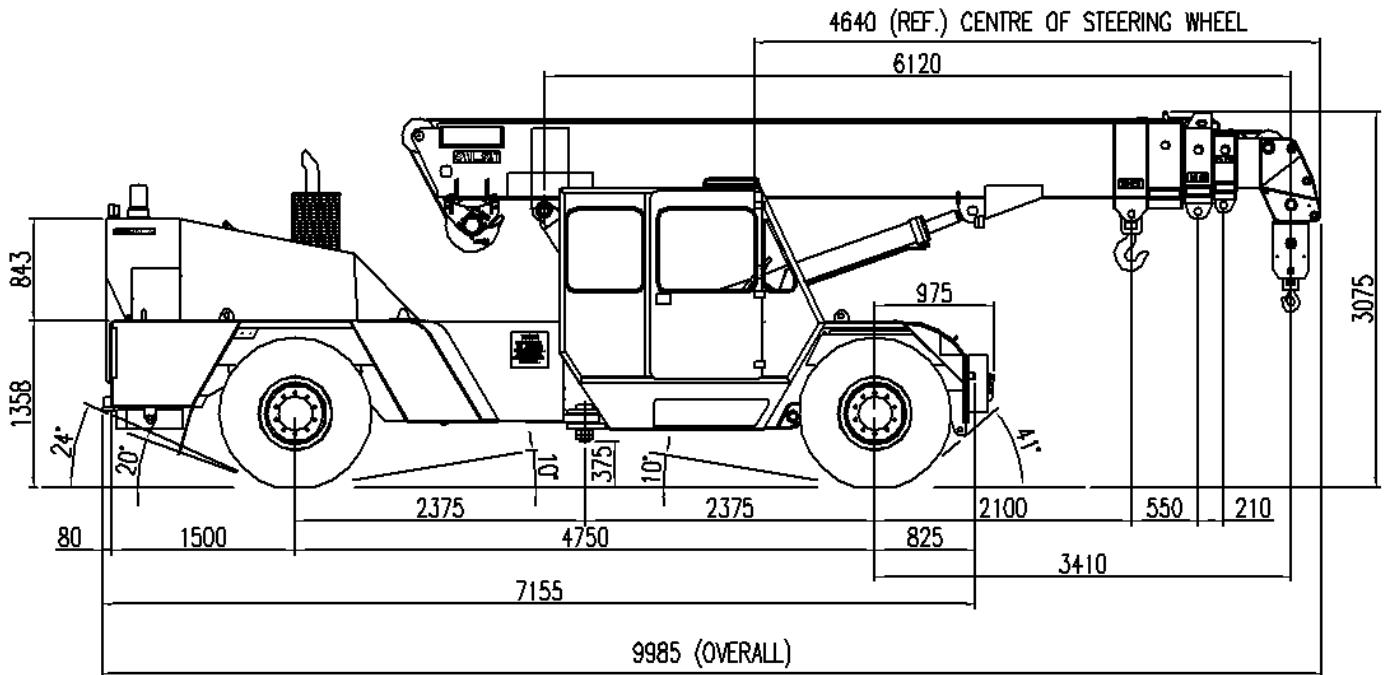
MAC25

25T Pick & Carry





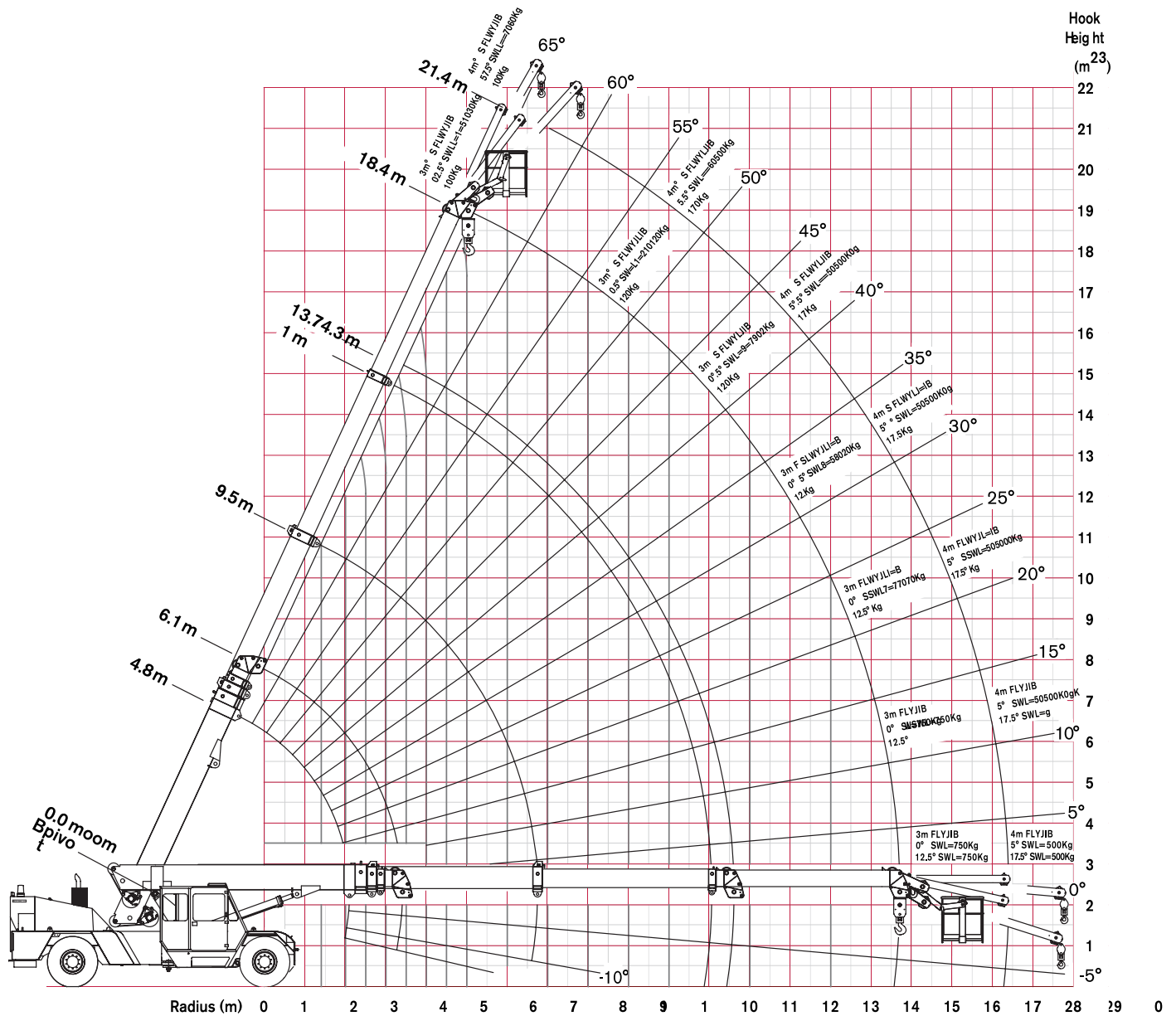
DIMENSIONS



25 TONNE

Franna MAC25 Pick & Carry

WORKING RANGE





RATED LIFTING CAPACITY

MAC-25 FALL BLOCK LOAD CHART - 10 DEG. ART.
COUNTERWEIGHT ON REAR OF CRANE - SPRING LOCKOUTS ENGAGED

Radius in Metres	BOOM PIVOT TO HEAD SHEAVES - THIRD BOOM RETRACTED (metres)														THIRD BOOM EXTENDING (metres)												
	6.12	6.50	7.00	7.50	8.00	8.50	9.00	9.50	10.00	10.50	11.00	11.50	12.00	12.50	13.00	13.50	14.32	14.50	15.00	15.50	16.00	16.50	17.00	17.50	18.00	18.42	
1.4	25000	25000	25000	25000	25000	25000	25000	25000																			
	48	51	54	57	59	61	63	65																			
2.0	23000	22950	22850	22950	22900	22850	22800	22800	22150	19300																	
	40	44	48	51	54	57	59	61	62	64	65																
2.5	18200	18150	18150	18100	18050	18000	17950	17950	17900	17750	15550	14600															
	32	37	42	46	50	52	55	57	59	61	62	63	65														
3.0	14900	14900	14900	14850	14800	14800	14750	14750	14700	14700	14350	13500	13000	12600	12250												
	21	29	35	41	45	48	51	53	55	57	59	61	62	63	64	65											
3.5	12900	12550	12550	12500	12500	12450	12450	12400	12400	12350	12350	12150	11750	11400	10850	10750											
	(3.4)	17	28	34	39	43	47	49	52	54	56	58	59	61	62	63	65	65									
4.0		11450	10800	10750	10750	10700	10700	10700	10650	10650	10650	10600	10600	10600	10100	10050	9850	9650									
		(3.8)	17	27	33	38	42	45	48	51	53	55	56	58	59	61	62	63	64	65							
5.0			9900	8700	8300	8300	8300	8250	8250	8250	8200	8200	8200	8200	8200	8150	8200	8200	8250	8300	8250	8150	8000	7900			
			(4.3)	(4.8)	16	25	31	36	40	43	46	48	50	52	54	56	58	58	59	61	62	63	64	65			
6.0					7700	6900	6650	6650	6650	6600	6600	6600	6600	6600	6600	6550	6550	6600	6650	6700	6750	6750	6800	6800	6850		
					(5.3)	(5.8)	15	24	30	34	38	41	44	46	48	50	53	53	55	56	57	58	60	61	61	62	
7.0							6250	5650	5450	5450	5450	5450	5450	5400	5400	5400	5400	5400	5450	5500	5550	5550	5600	5650	5650	5700	
							(6.3)	(6.8)	14	23	28	33	36	39	42	44	48	48	50	52	53	54	56	57	58	59	
8.0									5150	4700	4550	4550	4550	4550	4550	4550	4550	4550	4600	4650	4650	4700	4750	4750	4800	4800	
									(7.3)	(7.8)	13	22	27	31	35	38	42	43	45	47	48	50	51	53	54	55	
9.0											4350	4000	3900	3900	3900	3900	3850	3900	3900	3950	4000	4050	4050	4100	4100	4150	
											(8.3)	(8.8)	13	21	26	30	35	36	39	41	43	45	47	48	50	51	
10												3700	3400	3350	3350	3350	3350	3400	3400	3450	3500	3500	3550	3550	3600		
												(9.3)	(9.8)	12	20	28	29	32	35	38	40	42	44	45	47		
11																3200	2950	2900	2900	2950	3000	3000	3050	3050	3100	3150	3150
																(10.3)	(10.8)	17	19	24	28	31	34	37	39	41	42
12																	2650	2600	2550	2600	2650	2650	2700	2750	2750	2800	
																	(11.6)	(11.8)	12	19	23	27	30	33	36	37	
13																		2450	2350	2300	2350	2400	2400	2450	2450		
																		(12.3)	(12.8)	11	18	23	27	30	32		
14																			2200	2100	2100	2150	2150	2200			
																			(13.3)	(13.8)	11	18	22	25			
15																						2050	1950	1950	1950		
																						(14.3)	(14.8)	10	16		
15.71																								1850	1800		
																								(15.3)	(15.7)		

S.W.L IN KILOGRAMS FOR SLEW ANGLES OF 10 DEGREES OR LESS EITHER
 SIDE OF STRAIGHT AHEAD (INDICATED BY GREEN LED ON DASH).
 BOOM ANGLE - UNDEFLECTED (REF.)
 NOTE: VALUES IN BRACKETS () ARE ACTUAL RADIUS AT ZERO DEG. BOOM ANGLE.

25 TONNE

Franna MAC25 Pick & Carry

RATED LIFTING CAPACITY

MAC-25 FALL BLOCK LOAD CHART - 40 DEG. ART.
COUNTERWEIGHT ON REAR OF CRANE - SPRING LOCKOUTS ENGAGED

Radius in Metres	BOOM PIVOT TO HEAD SHEAVES - THIRD BOOM RETRACTED (metres)													THIRD BOOM EXTENDING (metres)													
	6.12	6.50	7.00	7.50	8.00	8.50	9.00	9.50	10.00	10.50	11.00	11.50	12.00	12.50	13.00	13.50	14.32	14.50	15.00	15.50	16.00	16.50	17.00	17.50	18.00	18.42	
1.4	21750	20200	18550	17250	16150	15200	14400	13700																			
2.0	19850	18700	17500	16150	15000	14100	13300	12600	12000	11450	10950																
2.5	16250	16250	15600	14700	13900	13200	12400	11750	11150	10650	10200	9800	9400														
3.0	13300	13300	13250	13250	12500	11900	11400	10900	10400	9900	9600	9100	8750	8450	8150	7850											
3.5	11450	11150	11150	11150	11100	10800	10300	9900	9500	9200	8800	8450	8150	7850	7600	7350	6950	6900									
4.0	(3.4)	17	28	34	39	43	47	49	52	54	56	58	59	61	62	63	65	65									
5.0	(3.8)	17	27	33	38	42	45	48	51	53	55	56	58	59	61	62	63	64	65								
6.0			8750	7700	7350	7300	7300	7300	7300	7100	6850	6600	6400	6250	6100	5950	5850	5600	5500	5400	5300	5200	5100	5050	4950		
7.0			(4.3)	(4.8)	16	26	31	36	40	43	46	48	50	52	54	56	58	58	59	61	62	63	63	64	65		
8.0				5800	6100	5850	5850	5800	5800	5800	5800	5700	5550	5350	5200	5100	4900	4850	4800	4750	4650	4600	4550	4450	4400	4350	
9.0				(5.3)	(5.8)	15	24	30	34	38	41	44	46	48	50	53	53	55	56	57	58	60	61	61	61	62	
10					5450	4950	4750	4750	4750	4750	4750	4750	4700	4550	4450	4250	4250	4200	4150	4100	4050	4000	3950	3900	3850		
11					(6.3)	(6.8)	14	23	28	33	36	39	42	44	46	48	48	50	52	53	54	56	57	58	59		
12						4500	4100	3950	3950	3950	3950	3950	3900	3750	3750	3700	3680	3600	3600	3550	3500	3500	3450				
13						(7.3)	(7.8)	13	22	27	31	35	38	42	43	45	47	48	50	51	53	54	55				
14							3750	3450	3350	3350	3350	3350	3350	3350	3300	3250	3200	3200	3150	3150	3100	3100	3100				
15							(8.3)	(8.8)	13	21	26	30	35	36	39	41	43	45	47	48	50	51	53	54	55		
15.71												3150	2950	2850	2850	2850	2850	2900	2900	2900	2850	2850	2800	2800	2750		
												(9.3)	(9.8)	12	20	26	29	32	35	38	40	42	44	45	47		
															2700	2600	2450	2450	2500	2550	2600	2650	2650	2600	2600	2500	
															(10.3)	(10.8)	17	19	24	28	31	34	37	39	41	42	
																2200	2150	2150	2200	2250	2250	2300	2300	2300	2300		
																(11.8)	(11.8)	12	19	23	27	30	33	36	37		
																	2050	1960	1950	2000	2000	2050	2050	2100			
																	(12.3)	(12.8)	11	18	23	27	30	32			
																		1850	1750	1750	1800	1800	1850				
																		(13.3)	(13.8)	11	18	22	25				
																			1700	1600	1600	1650					
																				(14.3)	(14.8)	10	16				
																						1650	1600				
																						(15.3)	(15.7)				

NOTE: S.W.L IN KILOGRAMS FOR SLEW ANGLES OF GREATER THAN 10 DEGREES UP TO 40 DEGREES EITHER SIDE OF STRAIGHT AHEAD (INDICATED BY RED LED ON DASH).
BOOM ANGLE - UNDEFLECTED (REF.)

NOTE : VALUES IN BRACKETS () ARE ACTUAL RADIUS AT ZERO DEG. BOOM ANGLE.



RATED LIFTING CAPACITY (SUPERLIFT CHART)

MAC-25 FALL BLOCK LOAD CHART - 10 DEG. ART.

STANDARD 1500 KG COUNTERWEIGHT (PLMXF2009) + EXTRA 2160 KG COUNTERWEIGHT (PLMXF2019) ON REAR OF CRANE - SPRING LOCKOUTS ENGAGE

Radius in Metres	BOOM PIVOT TO HEAD SHEAVES - THIRD BOOM RETRACTED (metres)													THIRD BOOM EXTENDING (metres)														
	6.12	6.50	7.00	7.50	8.00	8.50	9.00	9.50	10.00	10.50	11.00	11.50	12.00	12.50	13.00	13.50	14.32	14.50	15.00	15.50	16.00	16.50	17.00	17.50	18.00	18.42		
1.4	25000	25000	25000	25000	25000	25000	25000	25000																				
	48	51	54	57	59	61	63	65																				
2.0	23400	23400	23250	23350	23350	23300	23300	23250	22150	19300																		
	40	44	48	51	54	57	59	61	62	64	65																	
2.5	21450	21400	21350	21350	21300	21250	21200	21200	20450	17750	15550	14600																
	32	37	42	46	50	52	55	57	59	61	62	63	65															
3.0	17600	17600	17600	17550	17500	17500	17450	17450	17400	16500	14350	13500	13000	12600	12250													
	21	29	35	41	45	48	51	53	55	57	59	61	62	63	64	65												
3.5	16250	14850	14850	14850	14800	14800	14750	14750	14750	14700	14700	13350	12800	12150	11750	11400	10850	10750										
	(3.4)	17	28	34	39	43	47	49	52	54	56	58	59	61	62	63	65	65										
4.0		13600	12800	12800	12800	12750	12750	12700	12700	12700	12550	11750	11350	10950	10600	10100	10050	9850	9650									
		(3.8)	17	27	33	38	42	45	48	51	53	55	56	58	59	61	62	63	64	65								
5.0			11800	10400	9900	9900	9900	9900	9850	9850	9850	9850	9800	9650	9350	8900	8800	8650	8500	8400	8250	8150	8000	7900				
			(4.3)	(4.8)	16	25	31	36	40	43	46	48	50	52	54	56	58	58	59	61	62	63	63	64	65			
6.0				9250	8300	8000	8000	8000	8000	7950	7950	7950	7950	7900	7900	7900	7900	7750	7600	7450	7350	7200	7100	7000	6950			
				(5.3)	(5.8)	15	24	30	34	38	41	44	46	48	50	53	53	55	56	57	58	60	61	61	61	62		
7.0					7500	6850	6600	6600	6600	6600	6600	6600	6600	6600	6600	6550	6600	6600	6650	6700	6800	6800	6800	6800	6800	6800	6800	6800
					(6.3)	(6.8)	14	23	28	33	36	39	42	44	48	48	50	52	53	54	56	57	58	59	59	60	62	
8.0						6250	5750	5600	5600	5600	5600	5550	5550	5550	5550	5550	5550	5600	5650	5700	5700	5750	5800	5700	5650			
						(7.3)	(7.8)	13	22	27	31	35	38	42	43	45	47	48	50	51	53	54	55	55	55	55	55	
9.0									5300	4900	4800	4800	4800	4800	4750	4800	4850	4850	4900	4950	4950	5000	5000	5050				
									(8.3)	(8.8)	13	21	26	30	35	36	39	41	43	45	47	48	50	51	51	51	51	
10											4550	4250	4150	4150	4150	4150	4150	4200	4250	4250	4300	4350	4350	4400	4400			
											(9.3)	(9.8)	12	20	28	29	32	35	38	40	42	44	45	47	47	47	47	
11													3950	3700	3600	3650	3700	3700	3750	3800	3800	3850	3850	3900				
													(10.3)	(10.8)	17	19	24	28	31	34	37	39	41	42				
12																3350	3250	3250	3300	3350	3400	3400	3450	3450				
																(11.6)	(11.8)	12	19	23	27	30	33	36	37			
13																		3100	2950	2950	3000	3000	3050	3050	3100			
																		(12.3)	(12.8)	11	18	23	27	30	32			
14																			2850	2700	2700	2700	2750	2750				
																			(13.3)	(13.8)	11	18	22	25				
15																					2600	2500	2450	2500				
																					(14.3)	(14.8)	10	16				
15.71																							2400	2300				
																							(15.3)	(15.7)				

RC IN KILOGRAMS FOR SLEW ANGLES OF 10 DEGREES OR LESS EITHER SIDE OF STRAIGHT AHEAD (INDICATED BY GREEN LED ON DASH). BOOM ANGLE - UNDEFLECTED (REF.)

NOTE: VALUES IN BRACKETS () ARE ACTUAL RADIUS AT ZERO DEG. BOOM ANGLE.

25 TONNE

Franna MAC25 Pick & Carry

RATED LIFTING CAPACITY (SUPERLIFT CHART)

MAC-25 FALL BLOCK LOAD CHART - 40 DEG. ART.

STANDARD 1500 KG COUNTERWEIGHT (PLMXF2009) + EXTRA 2180 KG COUNTERWEIGHT (PLMXF2019-) ON REAR OF CRANE - SPRING LOCKOUTS ENGAGED

Radius in Metres	BOOM PIVOT TO HEAD SHEAVES - THIRD BOOM RETRACTED (metres)														THIRD BOOM EXTENDING (metres)												
	6.12	6.50	7.00	7.50	8.00	8.50	9.00	9.50	10.00	10.50	11.00	11.50	12.00	12.50	13.00	13.50	14.32	14.50	15.00	15.50	16.00	16.50	17.00	17.50	18.00	18.42	
1.4	21000	19600	18100	16900	15900	15000	14250	13600																			
2.0	20650	18850	17150	15850	14800	13900	13200	12550	11950	11450	11000																
2.5	18900	17700	16450	15050	13950	13100	12350	11700	11150	10700	10250	9850	9500														
3.0	15700	15700	15000	14000	13200	12300	11600	11000	10450	10000	9550	9200	8850	8550	8250	8000											
3.5	13600	13250	13200	12850	12100	11500	10900	10300	9800	9350	8950	8600	8300	8000	7700	7500	7100	7050									
4.0	(3.4)	17	28	34	39	43	47	49	52	54	56	58	59	61	62	63	65	65									
5.0		(3.8)	17	27	33	38	42	45	48	51	53	55	56	58	59	61	62	63	64	65							
6.0			(4.3)	(4.8)	16	25	31	36	40	43	46	48	50	52	54	56	58	58	59	61	62	63	63	64	65		
7.0					(5.3)	(5.8)	15	24	30	34	38	41	44	46	48	50	53	55	56	57	58	60	61	61	62		
8.0						(6.3)	(6.8)	14	23	28	33	36	39	42	44	48	48	50	52	53	54	56	57	58	59		
9.0							(7.3)	(7.8)	13	22	27	31	35	38	42	43	45	47	48	50	51	53	54	55			
10									(8.3)	(8.8)	13	21	26	30	35	36	39	41	43	45	47	48	50	51			
11													(9.3)	(9.8)	12	20	28	29	32	35	38	40	42	44	45	47	
12															(10.3)	(10.8)	17	19	24	28	31	34	37	39	41	42	
13																	2850	2800	2750	2800	2700	2650	2650	2600	2550	2550	
14																	(11.6)	(11.8)	12	19	23	27	30	33	36	37	
15																			2850	2560	2500	2500	2450	2400	2400	2350	
15.71																			(12.3)	(12.8)	11	18	23	27	30	32	
																					(13.3)	(13.8)	11	18	22	25	
																							2200	2200	2200	2200	
																							(14.3)	(14.8)	10	16	
																									2000	1950	
																									(15.3)	(15.7)	

RC IN KILOGRAMS FOR SLEW ANGLES OF GREATER THAN 10 DEGREES UP TO 40 DEGREES EITHER SIDE OF STRAIGHT AHEAD (INDICATED BY RED LED ON DASH).

BOOM ANGLE - UNDEFLECTED (REF.)

NOTE: VALUES IN BRACKETS () ARE ACTUAL RADIUS AT ZERO DEG. BOOM ANGLE.